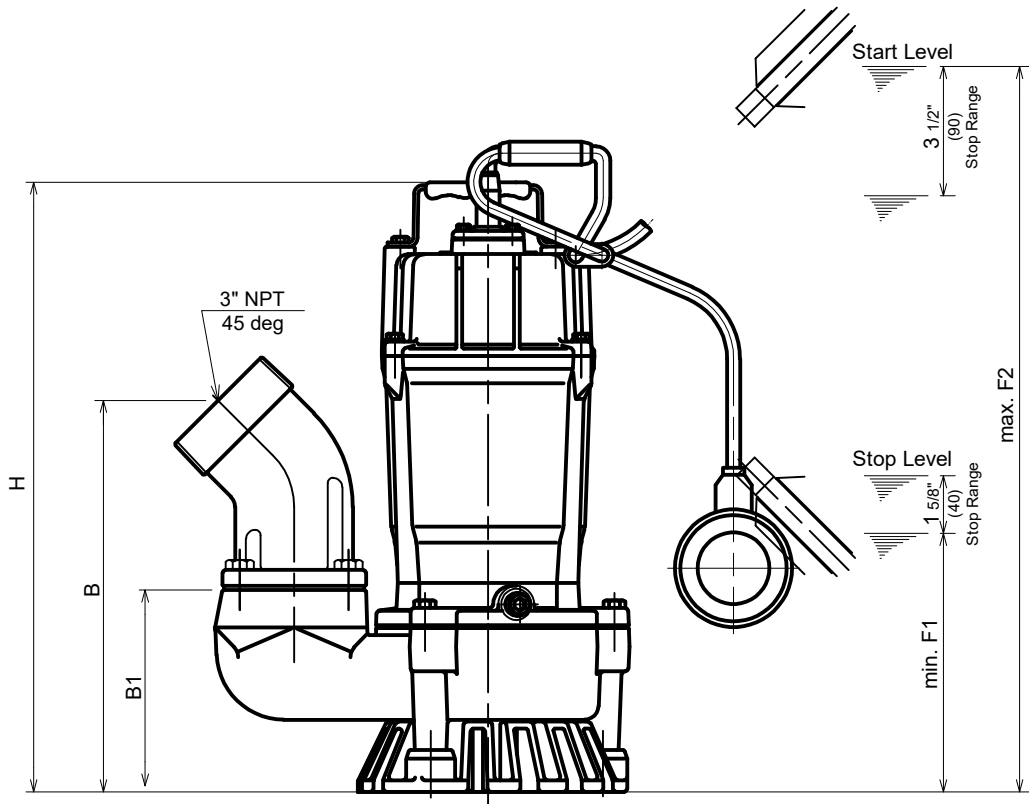
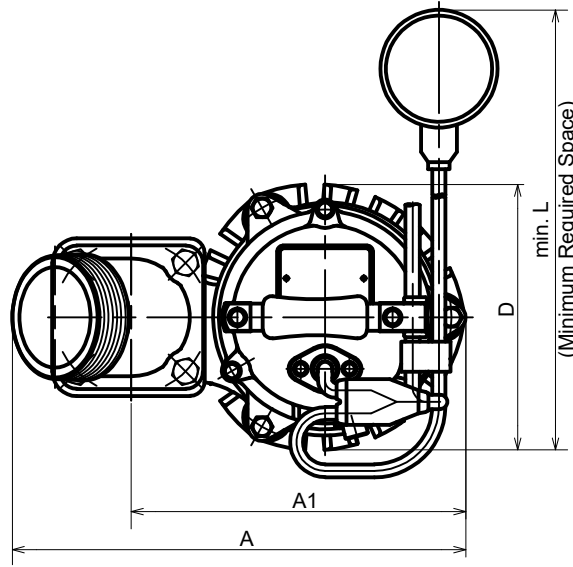


**HSZ3.75SL-62**



**DIMENSIONS:USCS (Inch)**

Model	HP	NOM. SIZE	Pump & Motor						Space	Stop	Start	Wt.* (lbs.)
			A	A1	B	B1	D	H	min. L	min. F1	max. F2	
HSZ3.75SL-62	1	3"	12 7/16	9 3/16	10 3/4	5 9/16	7 1/4	16 3/4	15 3/4	7 1/8	19 7/8	49

**DIMENSIONS:METRIC (mm)**

\*Excluding Cable

Model	kW	NOM. SIZE	Pump & Motor						Space	Stop	Start	Wt.* (kg)
			A	A1	B	B1	D	H	min. L	min. F1	max. F2	
HSZ3.75SL-62	0.75	80	316	233	273	141	184	425	400	180	505	22.4